

## Technical Data Sheet - Locknuts Flanged

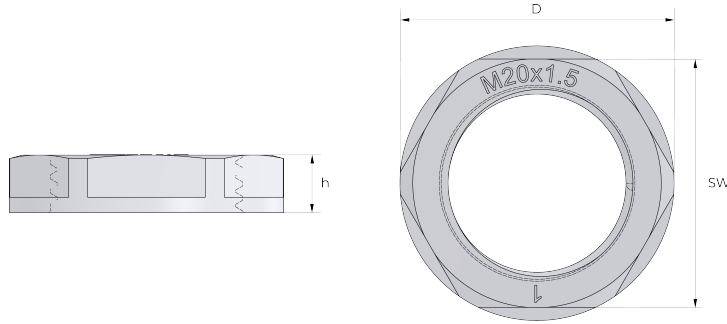
### General

It is an accessory used to secure cable gland  
It is designed for use in non-threaded holes on enclosures



### Technical

Material	Polyamide 6 (30 % Glass Fiber Reinforced)
Flammability	HB according to UL94
Operating Temperature	-20°C to +100°C
Thread Type	Metric, NPT, PG, PF/G



Thread Size 'F'	SW	Outer Ø 'D'	Height 'H'	MOQ	RAL 7035	RAL 7001	RAL 9005
NPT 3/4	33	37.5	7.0	3000	BPL-13	BPL-03	BPL-23

### Certificates

#### Bimed Teknik Aletler San. ve Tic. A. Ş.

Özar Sanayi Bölgesi, Deliklikaya Mh. Yüzbaşı Mehmet Hilmi Cd. No.28/1 Arnavutköy 34555 / İstanbul / Türkiye

T: +90 212 875 73 76

[bimedteknik.com](http://bimedteknik.com)

[info@bimedteknik.com](mailto:info@bimedteknik.com)

