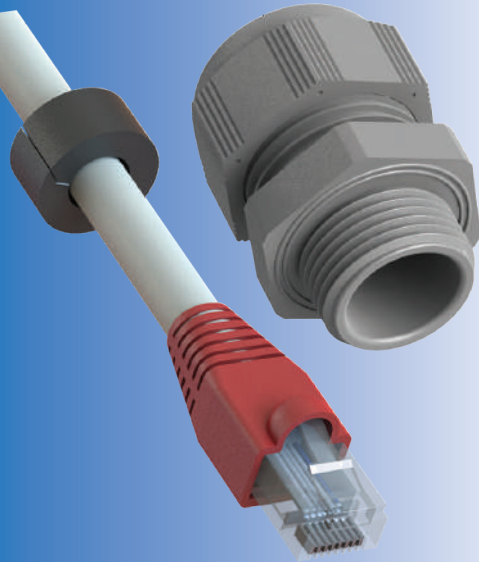


RJ 45 Glands Polyamide

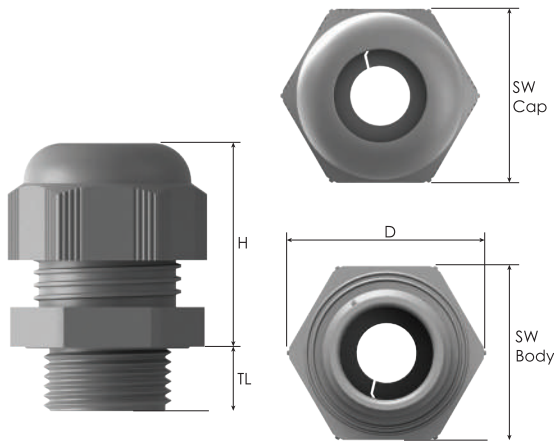


Cable glands for RJ 45 cables

- For standard industrial applications using data cables with pre-assembled RJ 45 connectors.
- Easy assembly: feed connector through cable gland - assemble splitted seal around cable - insert seal into gland body - install cable gland - tighten cap.
- High quality strain relief and sealing, reliable performance for standard industrial applications.

Technical Details

Material	Body, Cap	PA 6 (Polyamide 6)	
	Seal	CR (Chloroprene)	
Ingress Protection Rating	IP 68 - 5 Bar, 30 min		
Flammability	V2 according to UL94		
Operating Temperature	Permanent	-20 °C to +80 °C	
	Intermittent	-30 °C to +150 °C	
Thread Type	<ul style="list-style-type: none"> • Metric EN 60423 • PG DIN 40430 • Other thread types also available upon request. 		
Cable Type	Non armoured, with pre-assembled RJ 45 connector.		
Accessories	• Lock nuts		
	• Dome plugs		
	• Gaskets (Washers)		
Remarks	• Manufactured according to DIN EN 62444/50262.		
	• We recommend the use of lock nuts and gaskets to ensure IP rating for rough surfaces or through holes.		
	• Accessories must be ordered separately.		



Thread Type METRIC acc. to EN 60423

Outer Thread Size (Male)	Cable Diameter Ø mm	Outer Thread Length TL mm	Spanner Width		Outer Ø D mm	max. Height H mm	Part Number			Minimum Order Quantity
			Cap	Body			RAL 7035 light grey	RAL 7001 grey	RAL 9005 black	
			SW Cap mm	SW Body mm						
M20x1,5	6,0	10,0	27	27	30,9	31,9	BMRJ-13	BMRJ-03	BMRJ-23	1000
	6,0	15,0	27	27	30,9	31,9	BMRJ-15	BMRJ-05	BMRJ-25	1000
M25x1,5	6,0	8,0	29	29	32,5	37,7	BMRJ-EN-13	BMRJ-EN-03	BMRJ-EN-23	800
	6,0	15,0	29	29	32,5	37,7	BMRJ-EN-13L	BMRJ-EN-03L	BMRJ-EN-23L	800
	6,0	10,0	33	33	37,2	38,4	BMRJ-16	BMRJ-06	BMRJ-26	400
	6,0	15,0	33	33	37,2	38,4	BMRJ-17	BMRJ-07	BMRJ-27	400

Thread Type PG acc. to DIN 40430

Outer Thread Size (Male)	Cable Diameter Ø mm	Outer Thread Length TL mm	Spanner Width		Outer Ø D mm	max. Height H mm	Part Number			Minimum Order Quantity
			Cap	Body			RAL 7035 light grey	RAL 7001 grey	RAL 9005 black	
			SW Cap mm	SW Body mm						
PG 16	6,0	10,0	27	27	30,9	31,9	BSRJ-15	BSRJ-05	BSRJ-25	1000
PG 21	6,0	11,0	33	33	37,2	38,4	BSRJ-16	BSRJ-06	BSRJ-26	600