


Snap-In Cable Glands without Thread, Brass

Brass cable glands, without thread

- Easy assembly: push cable gland and turn body clockwise.
- For wall thickness 0.5 mm to 4.0 mm.
- High quality strain relief and sealing, reliable performance for standard industrial applications.
- Easy disassembly (with separate tool).

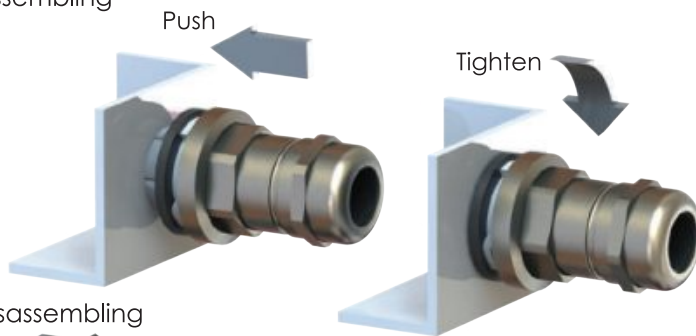
Technical Details

| | | | |
|----------------------------------|--|-----------------------|--|
| Material | Body, Cap | Brass Nickel plated | |
| | Seal | CR (Chloroprene) | |
| | Gasket | CR (Chloroprene) | |
| | Clamping Insert | PA 6 (Polyamide 6) | |
| | Lower Body | PA 6 (Polyamide 6) | |
| Ingress Protection Rating | | IP 68 - 5 Bar, 30 min | |
| | | IP 66 | |
| Flammability | V2 according to UL94 | | |
| Approvals | The sealing material is UV approved. | | |
| Operating Temperature | Permanent | -20 °C to +100 °C | |
| | Intermittent | -40 °C to +150 °C | |
| Cable Type | Non armoured | | |
| Accessories | <ul style="list-style-type: none"> • Dome plugs • Reducing seals • Flat cable seals • Multihole seals • Disassembly tools (one piece included per Minimum Order Quantity) | | |
| | <ul style="list-style-type: none"> • Different Seal types available. • Manufactured according to DIN EN 62444/50262. • Accessories must be ordered separately. | | |

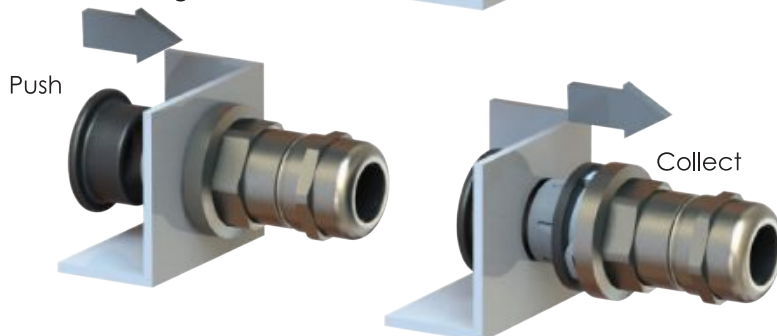
| Approvals | Certificate Number | Standards |
|---|---------------------|----------------|
|  | SERCOVAM RES 107572 | UL514B §8.26.7 |



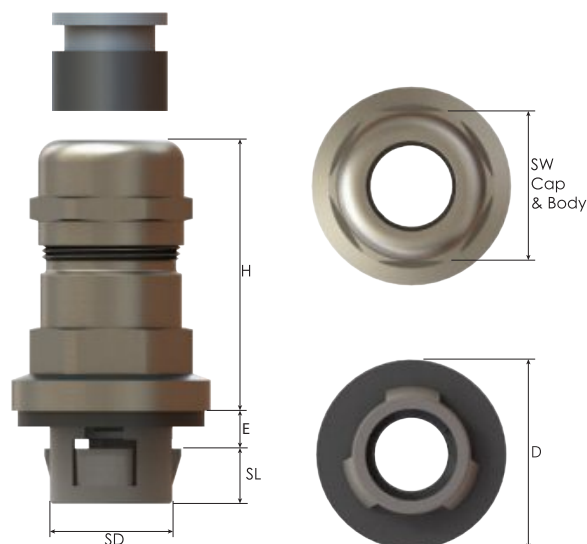
Assembling



Disassembling

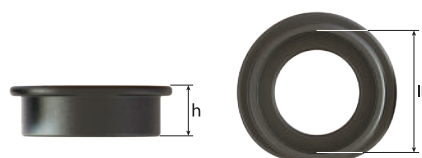
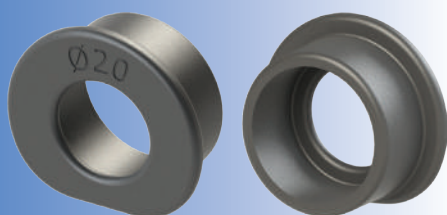


Snap-In Cable Glands without thread, Brass



wall thickness (E) : 0,5 - 4,0 mm

| Snap Size | Clamping Range | | Snap Length | | Enclosure Hole Ø | Spanner Width | | Outer Ø | max. Height | Part Number | Minimum Order Quantity |
|-----------|----------------|-----------|-------------|-------|------------------|---------------|------------|---------|-------------|---------------|------------------------|
| | Ø min-max mm | Seal Type | SL mm | SD mm | | SW Cap mm | SW Body mm | | | | |
| 16 | 3,0 - 7,0 | Single | 9,0 | 16,0 | 16,2 - 16,4 | 20 | 20 | 28,3 | 47,0 | BBOS-11R | 300 |
| | 5,0 - 10,0 | Single | 9,0 | 16,0 | 16,2 - 16,4 | 20 | 20 | 28,3 | 47,0 | BBOS-11 | 300 |
| | 3,0 - 10,0 | Double | 9,0 | 16,0 | 16,2 - 16,4 | 20 | 20 | 28,3 | 47,0 | BBOS-DS-11 | 300 |
| 20 | 5,0 - 9,0 | Single | 9,0 | 20,0 | 20,2 - 20,4 | 22 | 22 | 32,3 | 46,0 | BBOS-12R | 300 |
| | 6,0 - 12,0 | Single | 9,0 | 20,0 | 20,2 - 20,4 | 22 | 22 | 32,3 | 46,0 | BBOS-12 | 300 |
| | 5,0 - 12,0 | Double | 9,0 | 20,0 | 20,2 - 20,4 | 22 | 22 | 32,3 | 46,0 | BBOS-DS-12 | 300 |
| 25 | 9,0 - 13,0 | Single | 9,0 | 25,0 | 25,2 - 25,4 | 27 | 27 | 38,5 | 48,0 | BBOS-EU-13R | 200 |
| | 11,0 - 17,0 | Single | 9,0 | 25,0 | 25,2 - 25,4 | 27 | 27 | 38,5 | 48,0 | BBOS-EU-13 | 200 |
| | 8,0 - 17,0 | Double | 9,0 | 25,0 | 25,2 - 25,4 | 27 | 27 | 38,5 | 48,0 | BBOS-EU-DS-13 | 200 |
| 32 | 11,0 - 15,0 | Single | 9,0 | 32,0 | 32,2 - 32,4 | 34 | 34 | 45,5 | 56,5 | BBOS-EU-14R | 100 |
| | 15,0 - 21,0 | Single | 9,0 | 32,0 | 32,2 - 32,4 | 34 | 34 | 45,5 | 56,5 | BBOS-EU-14 | 100 |
| | 11,0 - 21,0 | Double | 9,0 | 32,0 | 32,2 - 32,4 | 34 | 34 | 45,5 | 56,5 | BBOS-EU-DS-14 | 100 |
| 40 | 16,0 - 23,0 | Single | 13,2 | 40,0 | 40,2 - 40,4 | 43 | 43 | 59,0 | 64,0 | BBOS-EU-15R | 50 |
| | 19,0 - 28,0 | Single | 13,2 | 40,0 | 40,2 - 40,4 | 43 | 43 | 59,0 | 64,0 | BBOS-EU-15 | 50 |
| | 16,0 - 28,0 | Double | 13,2 | 40,0 | 40,2 - 40,4 | 43 | 43 | 59,0 | 64,0 | BBOS-EU-DS-15 | 50 |



Snap-In Gland Disassembling Tool

Tool to disassemble Snap-In Glands

Technical Details

Material PA 6 (Polyamide 6)

| For Gland Size | Inner Ø | Height | Part Number |
|----------------|---------|--------|-------------|
| | ID mm | h mm | |
| 16 | 16,0 | 13,0 | BEX-16 |
| 20 | 20,0 | 13,0 | BEX-20 |
| 25 | 25,0 | 13,0 | BEX-25 |
| 32 | 32,0 | 13,0 | BEX-32 |
| 40 | 40,0 | 15,5 | BEX-40 |