






Standard Glands with Thread, Polyamide

Polyamide cable glands with lamellar clamping

- For standard industrial applications.
- Easy assembly.
- High quality strain relief and sealing, reliable performance for standard industrial applications.
- Up-to-date international approvals.

Technical Details

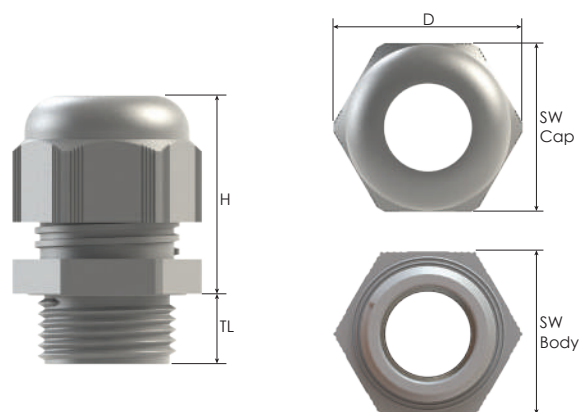
Material	Body, Cap	PA 6 (Polyamide 6)	
	Seal	CR (Chloroprene)	
Ingress Protection Rating	IP 68 - 5 Bar, 30 min		
	IP 66		
Flammability	V2 according to UL94		
Operating Temperature	Permanent		Intermittent
	-20 °C to +100 °C		-30 °C to +150 °C
Thread Type	<ul style="list-style-type: none"> • Metric EN 60423 • PG DIN 40430 • NPT ANSI B1.20.1 • Gas ISO 228 • Other thread types also available upon request. 		
Cable Type	Non armoured		
Accessories	<ul style="list-style-type: none"> • Lock nuts • Dome plugs • Reducing seals • Flat cable seals • Multihole seals • Gaskets (Washers) 		
	<ul style="list-style-type: none"> • In compliance with DIN EN 62444. • We recommend the use of lock nuts and gaskets to ensure IP rating for rough surfaces or through holes. • Accessories must be ordered separately. • Some approvals do not cover all sizes. • Other colors on request: RAL 5015 (blue) RAL 9003 (white) RAL 3020 (red) 		
Remarks			

Approvals	Certificate Number	Standards
	134171	DIN EN 62444
	115116_0_000	CSA C22.2
	E199260	UL514B CSA22.2 No 18.3-12 CSA22.2 No 94.2-15
		UL50E
TYPE 4X		
	SERCOVAM RES 107572	UL514B §8.26.7
	E-14046	EN62444

For more approvals: see our webpage.



Standard Glands with Thread, Polyamide



Thread Type METRIC acc. to EN 60423

Outer Thread Size (Male)	Clamping Range Ø min - max	Outer Thread Length	Spanner Width		Outer Ø	max. Height	Part Number			Minimum Order Quantity
			Cap	Body			RAL 7035 light grey	RAL 7001 grey	RAL 9005 black	
			mm	mm						
M12x1,5	2,0 - 5,0	8,0	15	15	17,0	25,3	BI-1S	BI-0S	BI-2S	4000
	2,0 - 5,0	10,0	15	15	17,0	25,3	BM-EN-1SMR	BM-EN-0SMR	BM-EN-2SMR	4000
	2,0 - 5,0	15,0	15	15	17,0	25,3	BM-EN-1SRL	BM-EN-0SRL	BM-EN-2SRL	4000
	3,0 - 6,5	8,0	15	15	17,0	25,3	BM-1S	BM-0S	BM-2S	4000
	3,0 - 6,5	10,0	15	15	17,0	25,3	BM-EN-1SM	BM-EN-0SM	BM-EN-2SM	4000
	3,0 - 6,5	15,0	15	15	17,0	25,3	BM-EN-1SL	BM-EN-0SL	BM-EN-2SL	4000
M16x1,5	2,0 - 6,0	8,0	19	19	21,7	27,4	BM-EN-11R	BM-EN-01R	BM-EN-21R	2000
	2,0 - 6,0	10,0	19	19	21,7	27,4	BM-EN-11MR	BM-EN-01MR	BM-EN-21MR	2000
	2,0 - 6,0	15,0	19	19	21,7	27,4	BM-EN-11LR	BM-EN-01LR	BM-EN-21LR	2000
	3,0 - 7,0	10,0	22	22	25,0	32,2	BI-11	BI-01	BI-21	1800
	3,0 - 7,0	15,0	22	22	25,0	32,2	BI-11L	BI-01L	BI-21L	1500
	4,0 - 8,0	8,0	19	19	21,7	27,4	BM-EN-11	BM-EN-01	BM-EN-21	2000
	4,0 - 8,0	10,0	19	19	21,7	27,4	BM-EN-11M	BM-EN-01M	BM-EN-21M	2000
	4,0 - 8,0	15,0	19	19	21,7	27,4	BM-EN-11L	BM-EN-01L	BM-EN-21L	2000
	5,0 - 10,0	10,0	22	22	25,0	32,2	BM-11	BM-01	BM-21	1800
	5,0 - 10,0	15,0	22	22	25,0	32,2	BM-11L	BM-01L	BM-21L	1500
M20x1,5	5,0 - 9,0	10,0	24	24	27,0	32,4	BI-12	BI-02	BI-22	1600
	5,0 - 9,0	15,0	24	24	27,0	32,4	BI-12L	BI-02L	BI-22L	1000
	6,0 - 12,0	10,0	24	24	27,0	32,4	BM-12	BM-02	BM-22	1600
	6,0 - 12,0	15,0	24	24	27,0	32,4	BM-12L	BM-02L	BM-22L	1000
	7,0 - 12,0	10,0	27	27	30,9	31,9	BI-13	BI-03	BI-23	1000
	7,0 - 12,0	15,0	27	27	30,9	31,9	BI-13L	BI-03L	BI-23L	850
	7,0 - 13,0	10,0	25	25	27,5	34,0	BM-EN-12S	BM-EN-02S	BM-EN-22S	1600
	10,0 - 14,0	10,0	27	27	30,9	31,9	BM-13	BM-03	BM-23	1000
	10,0 - 14,0	15,0	27	27	30,9	31,9	BM-13L	BM-03L	BM-23L	850
	9,0 - 13,0	8,0	29	29	32,5	37,7	BM-EN-13R	BM-EN-03R	BM-EN-23R	800
M25x1,5	9,0 - 13,0	15,0	29	29	32,5	37,7	BM-EN-13RL	BM-EN-03RL	BM-EN-23RL	800
	9,0 - 16,0	10,0	33	33	37,2	38,4	BI-15	BI-05	BI-25	600
	9,0 - 16,0	15,0	33	33	37,2	38,4	BI-15L	BI-05L	BI-25L	600
	11,0 - 17,0	8,0	29	29	32,5	37,7	BM-EN-13	BM-EN-03	BM-EN-23	800
	11,0 - 17,0	15,0	29	29	32,5	37,7	BM-EN-13L	BM-EN-03L	BM-EN-23L	800
	13,0 - 18,0	10,0	33	33	37,2	38,4	BM-15	BM-05	BM-25	600
	13,0 - 18,0	15,0	33	33	37,2	38,4	BM-15L	BM-05L	BM-25L	600
	11,0 - 15,0	10,0	36	36	41,0	42,3	BM-EN-14R	BM-EN-04R	BM-EN-24R	500
M32x1,5	11,0 - 15,0	15,0	36	36	41,0	42,3	BM-EN-14RL	BM-EN-04RL	BM-EN-24RL	500
	12,0 - 20,0	15,0	42	42	47,1	43,3	BI-17	BI-07	BI-27	400
	15,0 - 21,0	10,0	36	36	41,0	42,3	BM-EN-14	BM-EN-04	BM-EN-24	500
	15,0 - 21,0	15,0	36	36	41,0	42,3	BM-EN-14L	BM-EN-04L	BM-EN-24L	500
	18,0 - 25,0	15,0	42	42	47,1	43,3	BM-17	BM-07	BM-27	400
M40x1,5	16,0 - 23,0	10,0	46	46	52,4	47,4	BM-EN-15R	BM-EN-05R	BM-EN-25R	340
	16,0 - 23,0	18,0	46	46	52,4	47,4	BM-EN-15RL	BM-EN-05RL	BM-EN-25RL	340
	19,0 - 28,0	10,0	46	46	52,4	47,4	BM-EN-15	BM-EN-05	BM-EN-25	340
	19,0 - 28,0	18,0	46	46	52,4	47,4	BM-EN-15L	BM-EN-05L	BM-EN-25L	340
	20,0 - 26,0	18,0	53	53	59,6	52,4	BI-18	BI-08	BI-28	200
	22,0 - 32,0	18,0	53	53	59,6	52,4	BM-18	BM-08	BM-28	200
M50x1,5	25,0 - 31,0	18,0	60	60	67,8	54,8	BI-19	BI-09	BI-29	160
	30,0 - 38,0	18,0	60	60	67,8	54,8	BM-19	BM-09	BM-29	160
M63x1,5	29,0 - 35,0	18,0	65	65	72,4	54,9	BI-20	BI-10	BI-30	150
	34,0 - 44,0	18,0	65	65	72,4	54,9	BM-20	BM-10	BM-30	150
M75x2,0	48,0 - 55,0	25,0	75	80	89,0	55,0	BM-B12	BM-B02	BM-B22	80






Standard Glands with Thread, Polyamide

Polyamide cable glands with lamellar clamping

- For standard industrial applications.
- Easy assembly.
- High quality strain relief and sealing, reliable performance for standard industrial applications.
- Up-to-date international approvals.

Technical Details

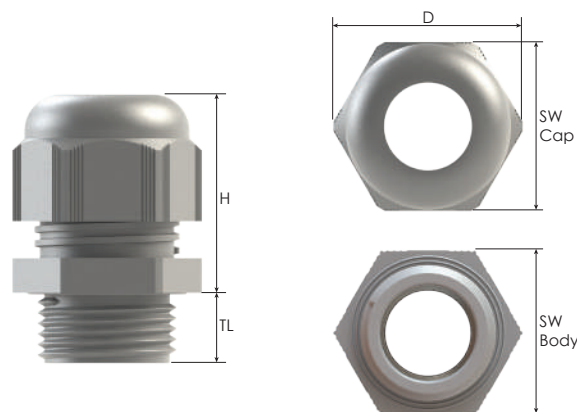
Material	Body, Cap	PA 6 (Polyamide 6)	
	Seal	CR (Chloroprene)	
Ingress Protection Rating	IP 68 - 5 Bar, 30 min		
	IP 66		
Flammability	V2 according to UL94		
Operating Temperature	Permanent		Intermittent
	-20 °C to +100 °C		-30 °C to +150 °C
Thread Type	<ul style="list-style-type: none"> • Metric EN 60423 • PG DIN 40430 • NPT ANSI B1.20.1 • Gas ISO 228 • Other thread types also available upon request. 		
Cable Type	Non armoured		
Accessories	<ul style="list-style-type: none"> • Lock nuts • Dome plugs • Reducing seals • Flat cable seals • Multihole seals • Gaskets (Washers) 		
	<ul style="list-style-type: none"> • In compliance with DIN EN 62444. • We recommend the use of lock nuts and gaskets to ensure IP rating for rough surfaces or through holes. • Accessories must be ordered separately. • Some approvals do not cover all sizes. • Other colors on request: RAL 5015 (blue) RAL 9003 (white) RAL 3020 (red) 		
Remarks			

Approvals	Certificate Number	Standards
	134171	DIN EN 62444
	115116_0_000	CSA C22.2
	E199260	UL514B CSA22.2 No 18.3-12 CSA22.2 No 94.2-15
		UL50E
TYPE 4X		
	SERCOVAM RES 107572	UL514B §8.26.7
	E-14046	EN62444

For more approvals: see our webpage.



Standard Glands with Thread, Polyamide



Thread Type NPT acc. to ANSI B1.20.1

Outer Thread Size (Male)	Clamping Range Ø min-max mm	Outer Thread Length TL mm	Spanner Width		Outer Ø D mm	max. Height H mm	Part Number			Minimum Order Quantity
			SW Cap mm	SW Body mm			RAL 7035 light grey	RAL 7001 grey	RAL 9005 black	
NPT 3/8"	3,0 - 7,0	15,0	22	22	25,0	32,2	BSPA-11R	BSPA-01R	BSPA-21R	1500
	5,0 - 10,0	15,0	22	22	25,0	32,2	BSPA-11	BSPA-01	BSPA-21	1500
NPT 1/2"	5,0 - 9,0	15,0	24	24	27,0	32,4	BSPB-12R	BSPB-02R	BSPB-22R	1000
	6,0 - 12,0	15,0	24	24	27,0	32,4	BSPB-12	BSPB-02	BSPB-22	1000
	7,0 - 12,0	15,0	27	27	30,9	31,9	BSPC-12R	BSPC-02R	BSPC-22R	850
	10,0 - 14,0	15,0	27	27	30,9	31,9	BSPC-12	BSPC-02	BSPC-22	850
NPT 3/4"	9,0 - 16,0	15,0	33	33	37,2	38,4	BSPD-13R	BSPD-03R	BSPD-23R	600
	13,0 - 18,0	15,0	33	33	37,2	38,4	BSPD-13	BSPD-03	BSPD-23	600
NPT 1"	12,0 - 20,0	18,0	42	42	47,1	43,3	BSP-14R	BSP-04R	BSP-24R	400
	18,0 - 25,0	18,0	42	42	47,1	43,3	BSP-14	BSP-04	BSP-24	400

Thread Type PG acc. to DIN 40430

Outer Thread Size (Male)	Clamping Range Ø min-max mm	Outer Thread Length TL mm	Spanner Width		Outer Ø D mm	max. Height H mm	Part Number			Minimum Order Quantity
			SW Cap mm	SW Body mm			RAL 7035 light grey	RAL 7001 grey	RAL 9005 black	
PG 7	2,0 - 5,0	8,0	15	15	17,0	25,3	BSR-11	BSR-01	BSR-21	4000
	3,0 - 6,5	8,0	15	15	17,0	25,3	BS-11	BS-01	BS-21	4000
PG 9	2,0 - 6,0	8,0	19	19	21,7	27,4	BSR-12	BSR-02	BSR-22	2000
	4,0 - 8,0	8,0	19	19	21,7	27,4	BS-12	BS-02	BS-22	2000
PG 11	3,0 - 7,0	8,0	22	22	25,0	32,2	BSR-13	BSR-03	BSR-23	1800
	5,0 - 10,0	8,0	22	22	25,0	32,2	BS-13	BS-03	BS-23	1800
PG 13,5	5,0 - 9,0	10,0	24	24	27,0	32,4	BSR-14	BSR-04	BSR-24	1600
	6,0 - 12,0	10,0	24	24	27,0	32,4	BS-14	BS-04	BS-24	1600
PG 16	7,0 - 12,0	10,0	27	27	30,9	31,9	BSR-15	BSR-05	BSR-25	1000
	10,0 - 14,0	10,0	27	27	30,9	31,9	BS-15	BS-05	BS-25	1000
PG 21	9,0 - 16,0	11,0	33	33	37,2	38,4	BSR-16	BSR-06	BSR-26	600
	13,0 - 18,0	11,0	33	33	37,2	38,4	BS-16	BS-06	BS-26	600
PG 29	12,0 - 20,0	11,0	42	42	47,1	43,3	BSR-17	BSR-07	BSR-27	400
	18,0 - 25,0	11,0	42	42	47,1	43,3	BS-17	BS-07	BS-27	400
PG 36	20,0 - 26,0	13,0	53	53	59,6	52,4	BSR-18	BSR-08	BSR-28	200
	22,0 - 32,0	13,0	53	53	59,6	52,4	BS-18	BS-08	BS-28	200
PG 42	25,0 - 31,0	13,0	60	60	67,8	54,8	BSR-19	BSR-09	BSR-29	160
	30,0 - 38,0	13,0	60	60	67,8	54,8	BS-19	BS-09	BS-29	160
PG 48	29,0 - 35,0	14,0	65	65	72,4	54,9	BSR-20	BSR-10	BSR-30	150
	34,0 - 44,0	14,0	65	65	72,4	54,9	BS-20	BS-10	BS-30	150

Thread Type G acc. to G ISO 228

Outer Thread Size (Male)	Clamping Range Ø min-max mm	Outer Thread Length TL mm	Spanner Width		Outer Ø D mm	max. Height H mm	Part Number			Minimum Order Quantity
			SW Cap mm	SW Body mm			RAL 7035 light grey	RAL 7001 grey	RAL 9005 black	
G 1/4"	2,0 - 5,0	10,0	15	15	17,0	25,3	BPF-1SR	BPF-0SR	BPF-2SR	4000
	3,0 - 6,5	10,0	15	15	17,0	25,3	BPF-1S	BPF-0S	BPF-2S	4000
G 3/8"	3,0 - 7,0	11,0	22	22	25,0	32,2	BPF-11R	BPF-01R	BPF-21R	1800
	5,0 - 10,0	11,0	22	22	25,0	32,2	BPF-11	BPF-01	BPF-21	1800
G 1/2"	5,0 - 9,0	10,0	24	24	27,0	32,4	BPF-12R	BPF-02R	BPF-22R	1600
	6,0 - 12,0	10,0	24	24	27,0	32,4	BPF-12	BPF-02	BPF-22	1600
	7,0 - 12,0	11,0	27	27	30,9	31,9	BPF-13R	BPF-03R	BPF-23R	1000
	10,0 - 14,0	11,0	27	27	30,9	31,9	BPF-13	BPF-03	BPF-23	1000
G 3/4"	9,0 - 16,0	12,0	33	33	37,2	38,4	BPF-14R	BPF-04R	BPF-24R	600
	13,0 - 18,0	12,0	33	33	37,2	38,4	BPF-14	BPF-04	BPF-24	600
G 1"	12,0 - 20,0	13,0	42	42	47,1	43,3	BPF-15R	BPF-05R	BPF-25R	400
	18,0 - 25,0	13,0	42	42	47,7	43,3	BPF-15	BPF-05	BPF-25	400